

22 gauge stainless steel return

Return of back to slide into face can.

L.E.D. Strip

1/8" acrylic insert (color varies)

4-40 flat pan head screw to hold l-clip to letter.

4-40 nut welded to inside of back

10-32 mounting stud (length varies)

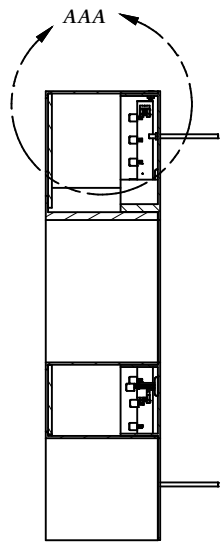
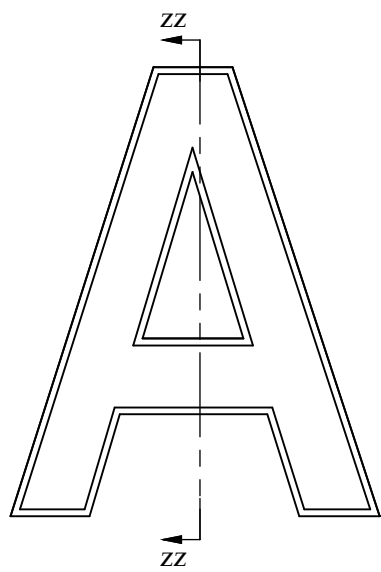
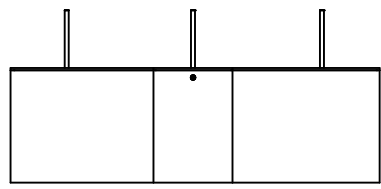
10-32 nut welded to inside of back

18 gauge stainless steel cookie can back

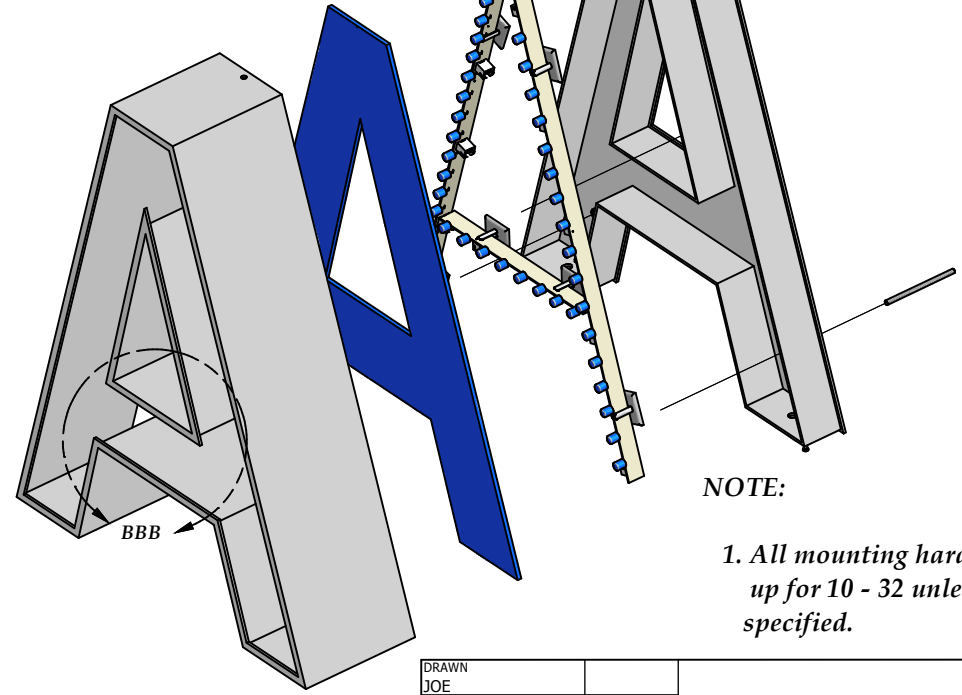
open face with a 18 gauge stainless steel trim.

DETAIL AAA SCALE 1.50 : 1

DETAIL BBB SCALE 1 : 1



SECTION ZZ-ZZ SCALE 0.40 : 1



NOTE:

1. All mounting hardware is set up for 10 - 32 unless otherwise specified.

USSign
& Fabrication Corporation

| | | |
|--------------|-------|---|
| DRAWN JOE | | TITLE Face Lit L.E.D. Trim Plus Letter with Cookie Can Backs set up for stud mount. |
| CHECKED | | |
| QA | | |
| MFG | | |
| APPROVED | | |
| | SIZE | Drawing Number: M15 |
| | SCALE | REV |
| | | SHEET 16 OF 18 |